



Mortality box

Model: NAC-00250

Area of use

The mortality box is designed for new or existing land-based aquaculture facilities.

The box is installed next to the fish tank to manage the state of the fish.

The box possesses a retractile valve and removable wall, which allow the dosage of anesthesia and casualties removal by vacuumed suction.

Correct application of anesthesia in a control volume is essential to comply with euthanasia and animal welfare regulations

- Simple to install
- Transport friendly
- Corrosion resistance

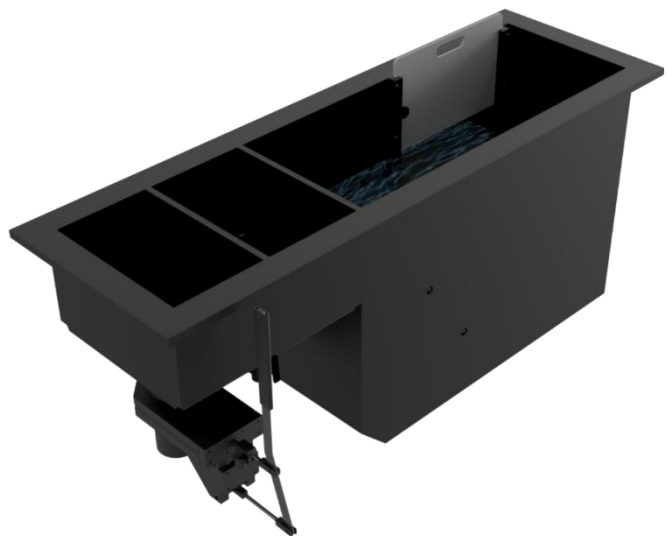
Materials

- PE100 – EN12201
- Stainless steel – EN 1.4401



Accessories

- Retractable valve
- Removable wall





Product no.	L (mm)	W (mm)	H (mm)
NAC-00250	2050	810	900

